

Tournament Entry Form:

Player 1 Team Contact: _____
Address: _____
City, Zip: _____
Phone: _____
Email: _____
Golf Shirt Sz: _M_L_XL_XXL_XXXXL

Player 2
Address: _____
City, Zip: _____
Phone: _____
Email: _____
Golf Shirt Sz: _M_L_XL_XXL_XXXXL

Player 3
Address: _____
City, Zip: _____
Phone: _____
Email: _____
Golf Shirt Sz: _M_L_XL_XXL_XXXXL

Player 4
Address: _____
City, Zip: _____
Phone: _____
Email: _____
Golf Shirt Sz: _M_L_XL_XXL_XXXXL

Make Checks payable to:

St. Philip Neri Golf Tournament

PO Box 146, Kinder LA 70648

___ Individual \$125

___ Team \$500

Much Appreciation for your support!

Details:

Saturday, May 12, 2018

Koasati Pines

Coushatta

Kinder, Louisiana

Shotgun Start 8:30am

4 Person Scramble

Fees Include:

Green Fees

Cart Fee, Range Balls

Breakfast, Lunch and Drinks

Golf Shirt

Registration & Practice

7:30am - 8:30am



Attire:

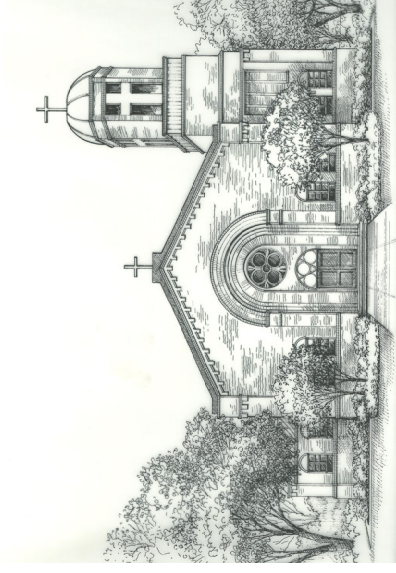
Soft Spike Facility only.

Collared Shirt, No Jeans

St. Philip Neri

Catholic Church

Kinder, Louisiana



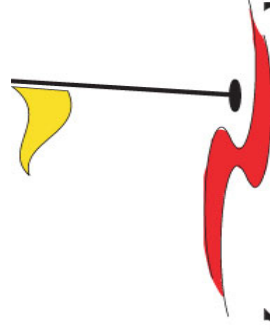
4th Annual

Golf Tournament

Saturday, May 12, 2018

Shotgun start

8:30am



KOASATI PINES

AT COUSHATTA

**St. Philip Neri
Charter Golf Committee**

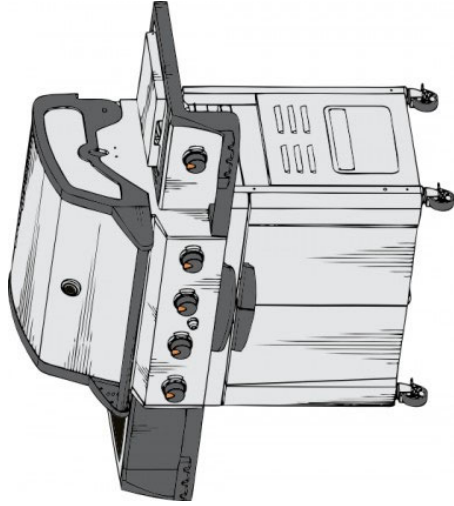
Tim Jaquez - Koasati Pines Golf Pro
with Staff of Koasati Pines Clubhouse
David Sickey - Coushatta Casino Resort Inc.
Fr. Keith Pellerin - Pastor
Huey and Troy Ann Fuselier
Matt Fontenot Valerie Unkel
Kent Reed Kevin Pellerin

*If you would like to serve on the Annual Golf
Tournament Committee, please call the
Rectory at 738-5612.*

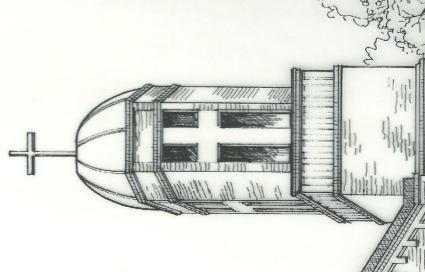
AT HOLE #9

**\$5 per chance to
WIN**

**Handcrafted Grill Pit
by Mark Savant**



*St. Philip
Neri
Catholic
Church*



Prizes to be awarded as

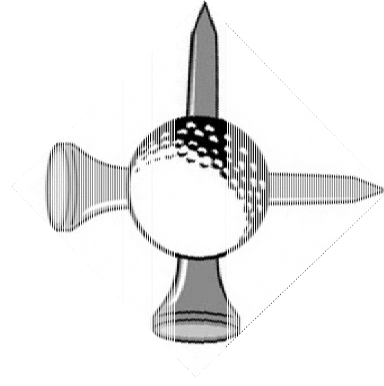
Random Draw:

- 1st Place
- 2nd Place
- 3rd Place
- 4th Place

Straightest Drive on #1
Closest to the Hole

Mulligans - \$10 person or \$30 team
5 Iron Blast \$5 per person on #10

MANY DOOR PRIZES



**HOLE SPONSORSHIP
INFORMATION**

- ◇ **Corporate Sponsor - \$500**
-Large Banner with Business logo
- ◇ **Hole Sponsor - \$100**
-18x24 tee sign at a hole on course

Sponsorship obtained by April 15, 2018

Name:

Business Name to appear on sign:

Address:

Phone:

Please send this form with payment to:
St. Philip Neri Golf Tournament
PO Box 146 Kinder, Louisiana 70648

*For more information about sponsorship
opportunities, call 337-738-5612.*

THANK YOU!